

## Rhythm Maker Professional Drum Pedal

Designed for use with RockBand™  
Model: BH4010

Thank you for purchasing this Rhythm Maker Professional Drum Pedal. We hope you enjoy it. For your personal safety and for the safety of others, please carefully read this instruction manual as well as the instruction manuals that came with your game consoles and games.

### Precautions

- Make sure to read the Instruction Manual of the Rhythm Maker Professional Drum Pedal before using the product.
- If you have any health concerns, please consult with your physician prior to using the Rhythm Maker Professional Drum Pedal.
- If at any time during game play you feel achy, numb, tingling or anything else abnormal, please take a break from playing. Blockhead recommends taking frequent breaks to prevent any of the above from happening.
- Keep all liquids away from this product. Getting this product wet will void your warranty.
- Do not insert objects of any kind into the product as this may cause damage or a fire hazard and void your warranty.
- Make sure small children are supervised while playing.
- Keep the Rhythm Maker Professional Drum Pedal out of environments of extreme heat and extreme cold.
- If you have any technical or functional problems with the Rhythm Maker Professional Drum Pedal, please contact Customer Service and do not try to modify the product or fix the problem yourself as this would void your warranty.
- When the Rhythm Maker Professional Drum Pedal is not in use, make sure to store it properly for both safety and preservation of the product.

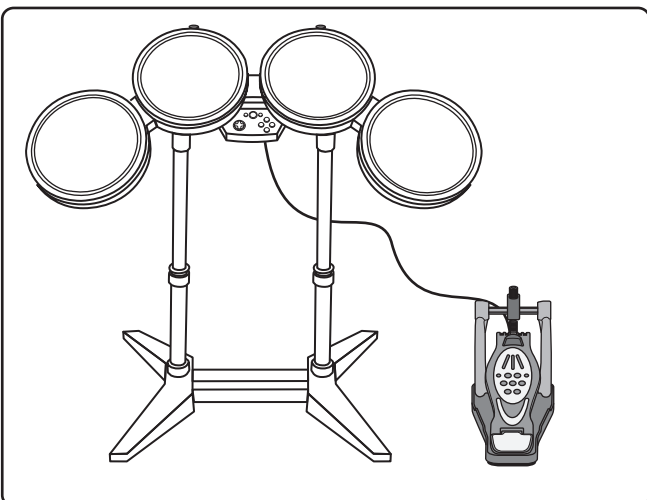
### Contents

- 1 drum pedal

### Quick Setup Guide

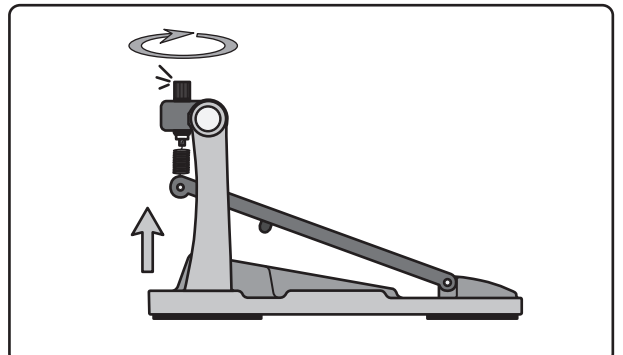
The drum pedal is designed for use with the original Rock Band™ drum set

#### Connect to the drum set

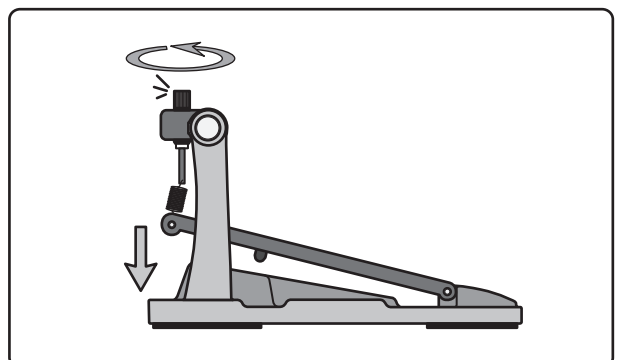


- Secure the drum pedal in place by attaching it to the pole at the base of the drum set

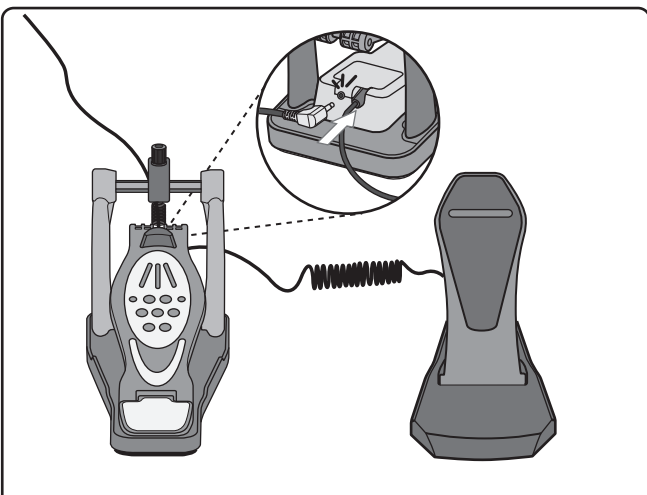
To adjust the pedal to a higher height, please rotate the knob clockwise:



To adjust the pedal to a lower height, please rotate the knob anti-clockwise:



#### Connect the original pedal



- You can connect the original drum pedal to this Rhythm Maker Professional Drum Pedal for dual-pedal play. Insert the plug of the original pedal to the jack on back of Rhythm Maker.

Note: Pressing down any pedal is effective.

### WARRANTY AND TECHNICAL SUPPORT

Every Blockhead branded product comes with a 90 day warranty (U.S. Only). Blockhead will replace, repair or refund any defective products or components at no charge to you within 90 days of the purchase date. This warranty does not apply if the Blockhead branded product has been damaged by misuse, neglect, or reasons unrelated to defective materials or assembly. Blockhead is not responsible or liable for loss of data or loss of equipment use. You must retain a copy of your original receipt for warranty support.

For support on Blockhead products, contact us by visiting [www.blockheadgaming.com](http://www.blockheadgaming.com) or call us at 727-431-0650.

For general questions, comments, information or grammar tips, email us at [info@blockheadgaming.com](mailto:info@blockheadgaming.com).